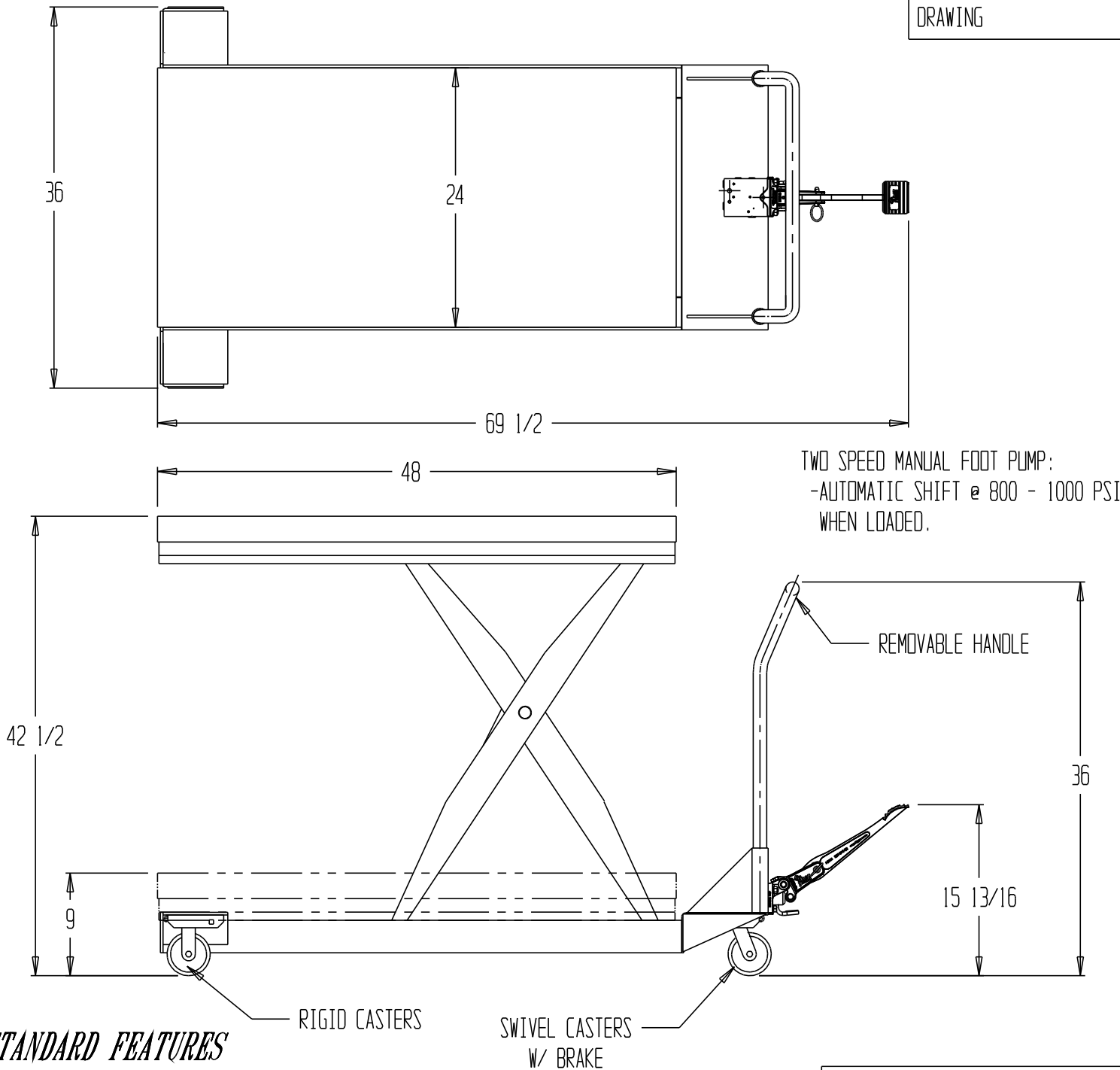


# MANUAL SCISSOR CART, CART-24-10-M

PRODUCTION WILL START UPON RECEIPT OF SIGNED APPROVAL DRAWING



## STANDARD FEATURES

- MODEL NUMBER: CART-24-10-M
- CAPACITY: 1,000 LBS.
- PLATFORM WIDTH: 24"
- PLATFORM LENGTH: 48"
- PLATFORM LOWERED HEIGHT: 9"
- PLATFORM RAISED HEIGHT: 42 1/2"
- OVERALL WIDTH: 36"
- OVERALL LENGTH: 69 1/2"
- CASTERS: TWO 4 X 2 PHENOLIC SWIVEL W/ BRAKE  
TWO 4 X 2 PHENOLIC RIGID

## SPECIAL FEATURES

NONE

\*\*SPECIAL UNITS ARE NON-RETURNABLE  
\*AVAILABLE AT ADDITIONAL COSTS

All graphics provided are for reference only. If certain dimensions are critical please verify those dimensions with your salesperson

**A P P R O V A L**

I, THE UNDERSIGNED, AGREE THAT THE PRODUCT AS REPRESENTED SATISFIES DESIGN & DIMENSION REQUIREMENTS. I ALSO ACKNOWLEDGE MY DUTY TO CONFIRM PRODUCT & INSTALLATION COMPLIANCE WITH ALL APPLICABLE FEDERAL, STATE AND LOCAL REGULATIONS & STANDARDS.

**UNITS REQUIRING APPROVAL DRAWINGS OR MODIFIED ARE NON-RETURNABLE**

( ) As drawn ( ) As marked

Signed: \_\_\_\_\_ Date: \_\_\_\_\_  
Printed Name: \_\_\_\_\_

LEAD TIME WILL START UPON RECEIPT OF SIGNED APPROVAL DRAWING

DISTRIBUTOR'S NAME: <b>VESTIL MFG</b>		P.O.#: -
DRAWN BY: _____		W.O.#: -
DATE: -	SCALE: -	SALES: -
REFERENCE: -	QUOTE #: -	DRWG./FILE NAME: CART-24-10-M
QUOTED LEADTIME: -	SCALE: -	